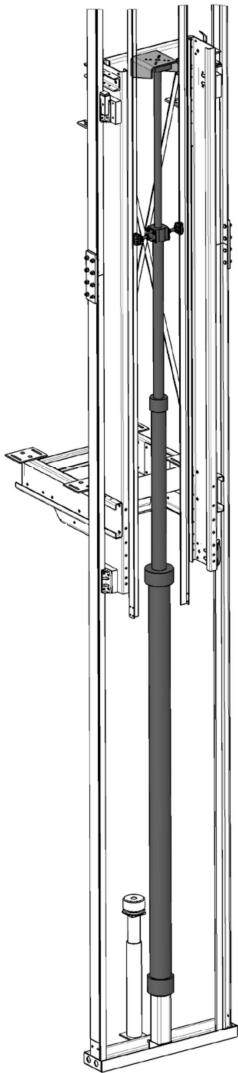




ALGI Telescope System TAZ



For travel heights of up to 11 meters ALGI are pleased to announce the new TAZ system. The heart of this innovative design is the free-floating cylinder support. ALGI have been able to engineer a cost effective solution whilst also improving performance and safety. Our proven telescopic cylinder designs with all of its comfort and safety benefits will be more than competitive with other hydraulic and traction systems.

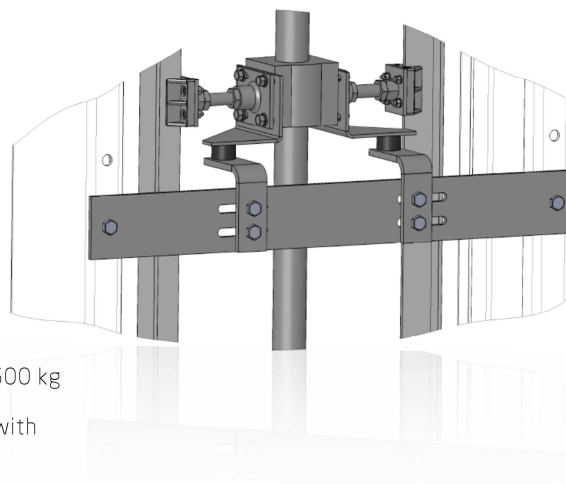
Properties and Benefits:

Compared to traction or indirect acting hydraulic lifts the benefits of the telescopic cylinder are obvious:

- » Low installation costs due to direct acting design
- » No over speed governor and associated equipment
- » No safety gear
- » No slack rope switch assembly
- » Improved ride comfort
- » Easy maintenance
- » Stabilisation of the top stage by the TAZ support system allows increased travel with a smaller cylinder

The Innovation:

This simple technological solution accomplishes the selection of smaller diameters with two and three-stage telescope cylinders by using an additional yoke at the first stage.



Area of Application:

- » Elevators with a load capacity from 320 kg to 1,600 kg
- » Travel heights from 3 m to 11 m in direct design with two or three-stage telescopic cylinders
- » Drive can be either Electronic Closed Loop Control or Variable Frequency Drive