



NEWLIFT
NEUE ELEKTRONISCHE WEGE

MODERNISATION PACKAGE

SMARTPACK ECO/BASIC

Modernise and reduce operating costs



SMART PACK **BASIC**SMART PACK **ECO**

Modernise and reduce operating costs

MODERNISATION PACKAGE **SMARTPACK ECO/BASIC**

THE ADVANTAGES ARE OBVIOUS

- Shorter assembly time
- Lower investment costs
- Resource-efficient modernisation
- Plug & Play
- Fast delivery times
- Remote access via ELEVISON 4.0
- Easy to order online

ONLINE COFIGURATION AND ORDER NOW

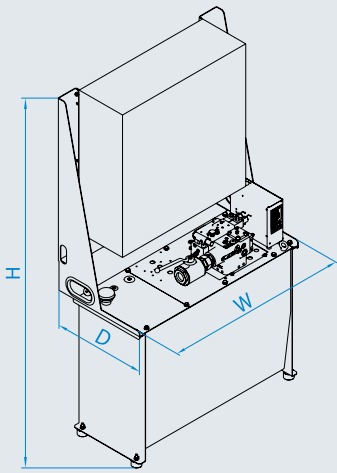
- Order simply and conveniently online
- Short processing time
- All-round carefree package



CONFIGURATOR

➤ www.algionline.com

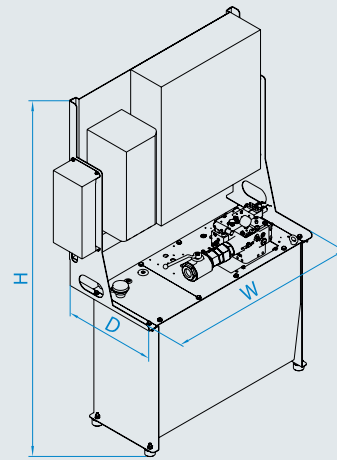
TECHNICAL DATA



SMART PACK BASIC

Tank size 2
Width: 1,030 mm
Height: 1,840 mm
Depth: 530 mm

Tank size 3
Width: 1,178 mm
Height: 1,950 mm
Depth: 617 mm



SMART PACK ECO

Tank size 2
Width: 1,086 mm
Height: 1,810 mm
Depth: 530 mm

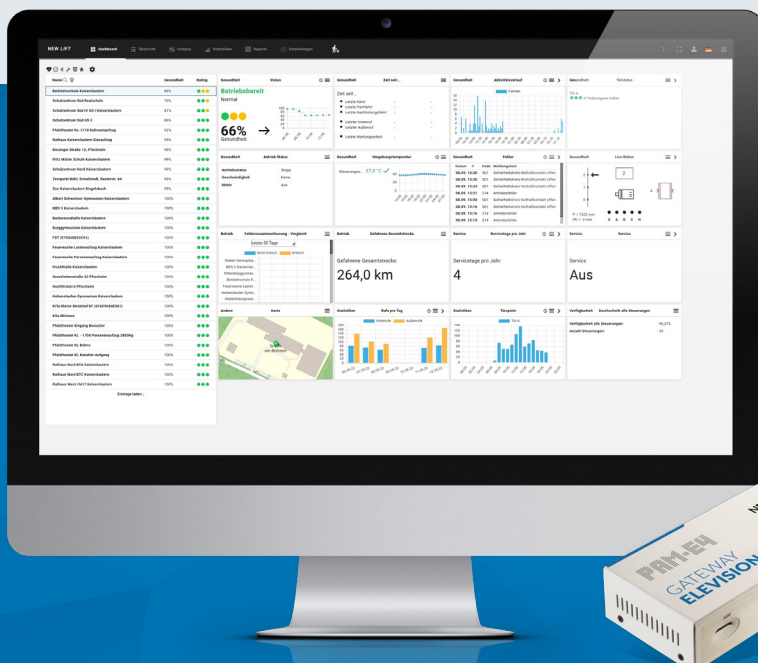
Tank size 3
Width: 1,178 mm
Height: 1,950 mm
Depth: 617 mm

TECHNICAL DETAILS

- FST-2XT (later also with FST-3)
- Standard EN81-20/50
- Control cabinet as attachment on the unit/wall mounting
- Power 12-24 KW Soft starter AZRS or AZFR with Danfoss FU
- 8 floors, two automatic door sides
- PLUG & PLAY
- PAM-E4

SCOPE OF DELIVERY

- Power unit incl. frequency converter (ECO)
- Control
Dimension control cabinet BASIC:
800 x 800 x 300 mm
Dimension control cabinet ECO:
1,000 x 800 x 200 mm
- Pre-assembled motor and control cables



REMOTE ACCESS VIA ELEVISON 4.0

- 24/7 Availability
- Rapid support during commissioning
- Direct access to ALGI control card
- Direct access to frequency inverter

Registration under:
▶ www.elevation.de

📍 **NEW LIFT** Neue Elektronische Wege
Steuerungsbau GmbH
Lochhamer Schlag 8
DE 82166 Gräfelfing

☎ +49 (0) 89 898 66 0
📠 +49 (0) 89 898 66 300
✉ info@newlift.de
🌐 www.newlift.de

📍 **ALGI** Alfred Giehl GmbH & Co. KG
Hydraulik- und Maschinenbau
Schwalbacher Straße 49-51
DE 65343 Eltville am Rhein

☎ +49 (0) 6123 608 0
📠 +49 (0) 6123 608 159
✉ info@algi-hydraulic.de
🌐 www.algi-hydraulic.de

